

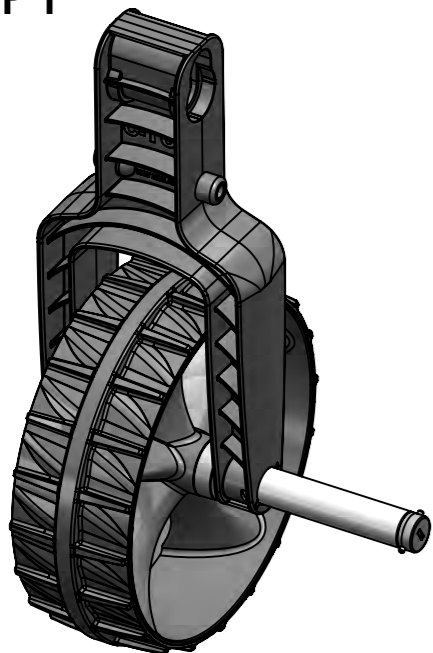
C-TUG DINGHY WHEELS

ASSEMBLY INSTRUCTIONS

Refer to our website for further instructional videos

Part One: Fork and Wheel

STEP 1



1a Place wheel within fork lining up Axle holes

1b Insert Axle with grey cap on outside

1c Slide through until grey locking pegs reach fork - see STEP 2

DISCLAIMER:

- Do not tow - walking speed only
- Operate only with wheels in lowest slot - loading may cause breakage in any other position
- In case of long term storage of vessel in sunlight: removal of fork + wheel assembly from bracket is recommended

STEP 2



2a Line up grey locking pegs with slots in fork

2b Press axle into fork and lock into place by turning clockwise with flatblade screwdriver

Tip: Ensure you are holding fork closest to you - to allow the opposing fork to give way to the axle

STEP 3

Important tips for inserting locking shaft

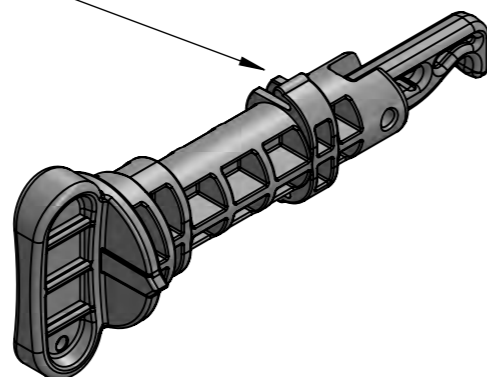
INCORRECT

Line up toggle lock with locking shaft before inserting to avoid getting stuck

CORRECT

Line up bumps on locking shaft with notches in bracket before insertion

Notches in bracket



Parts list available on reverse of mounting template

C-TUG DINGHY WHEELS

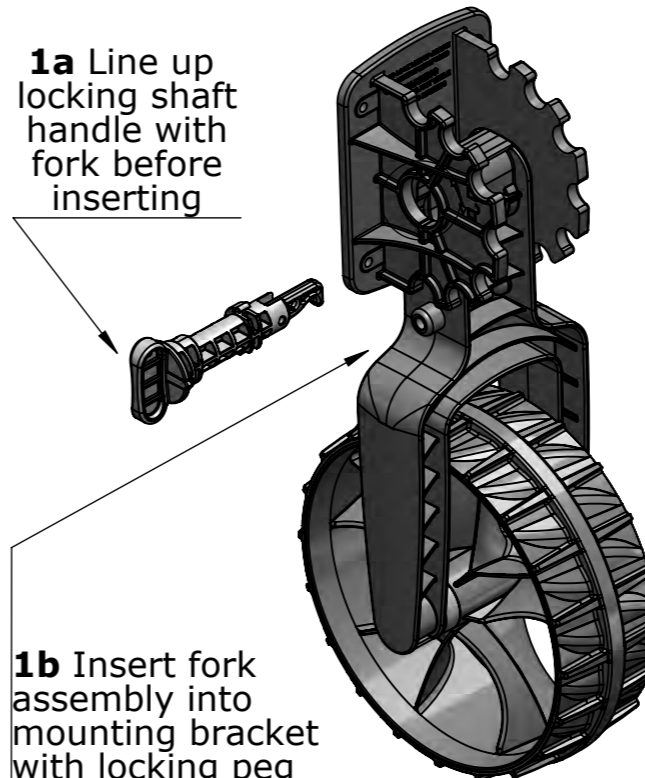
ASSEMBLY INSTRUCTIONS

Part Two: Fork and Bracket

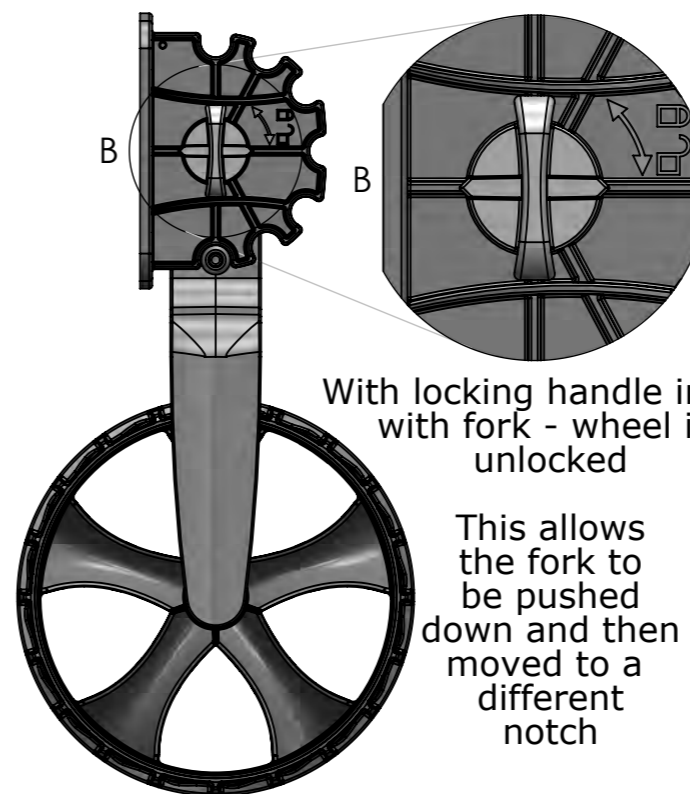
STEP 1

1a Line up locking shaft handle with fork before inserting

1b Insert fork assembly into mounting bracket with locking peg below lowest notch



UNLOCKED

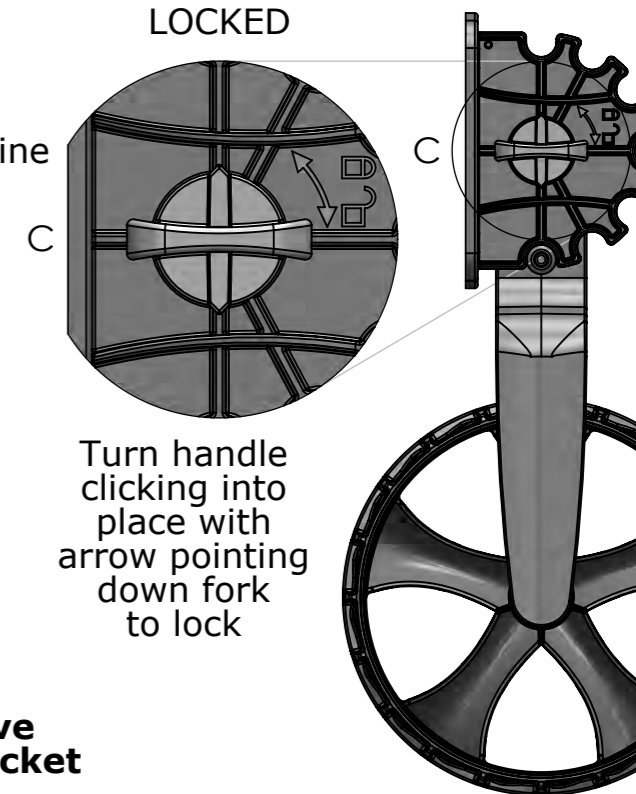


With locking handle in line with fork - wheel is unlocked

This allows the fork to be pushed down and then moved to a different notch

STEP 3

LOCKED



Turn handle clicking into place with arrow pointing down fork to lock

"CLICK!"

STEP 2

2a Slide locking shaft through bracket

2b Turn toggle lock parallel with bracket and snap down locking it in place

2c Once locking shaft is through lift fork until locking peg is lodged in notch

Reverse this process to remove the fork and wheel from the bracket

C-TUG DINGHY WHEELS

INSTALLATION INSTRUCTIONS

Part One: Positioning Wheels

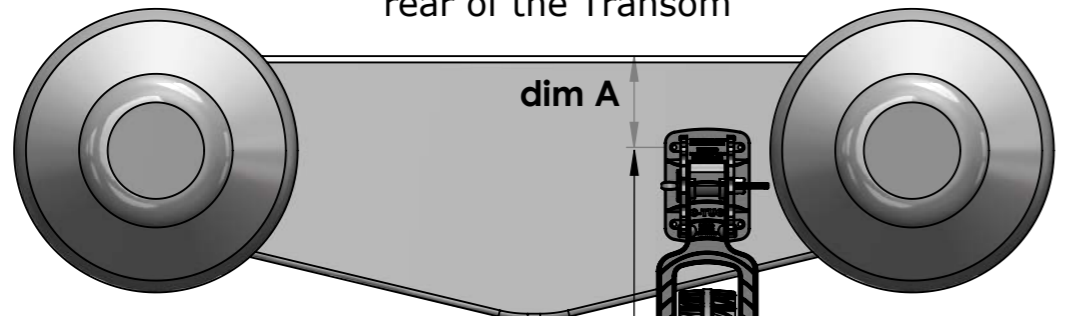
YOU WILL NEED:

- 3mm (1/8") Drill Bit
- 6.5mm (1/4") Drill Bit
- Center Punch
- Masking Tape

PLEASE ENSURE ASSEMBLED WHEELS WILL NOT INTERFERE WITH AN OUTBOARD BEFORE INSTALLATION

STEP 1

1a Set your Dinghy up as level as possible with at least 300mm (1ft) clearance under the rear of the Transom



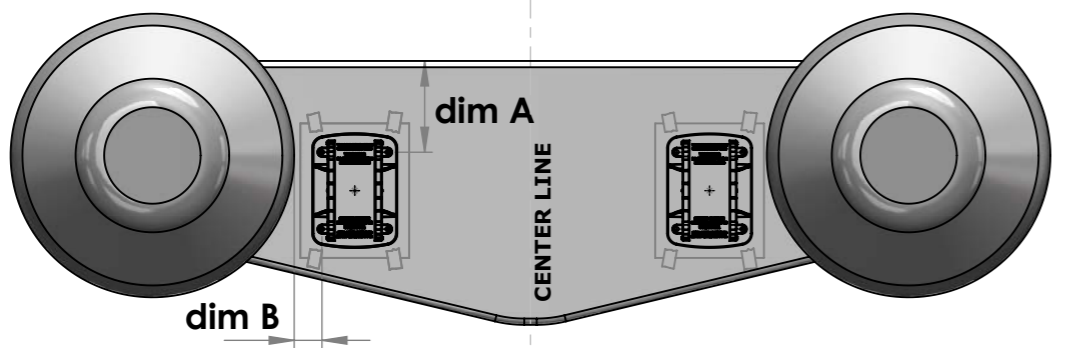
1b Position your assembled wheel bracket against the transom making sure **the top of the wheel clears the bottom of the transom** with fork in **operating position**

1c Measure the distance to the top of the transom from the upper mounting hole ***NOTE 1**

STEP 2

2a Prepare your mounting templates by cutting the A4 sheet in half

2b Measure the distance **dim A** to the top of the transom from the mounting holes - match this to the measurement in **1c** and secure the template with some tape



2c Check the distance **dim B** to the tube from the mounting holes - make sure there is at least 45mm (1.7") clear to allow space for the locking shaft

2d Check **dim A** for **each hole** on both brackets as well as **dim B** - adjust the mounting templates accordingly. Getting this right is **critical** to get your wheels mounted vertically

2e Mounting Holes

- Center punch each mounting hole
- Drill pilot holes **Ø3mm (1/8")**
- Drill bolt holes **Ø6.5mm (1/4")**
- Remove templates
- Deburr / tidy holes

*** NOTE 1:** If your transom isn't flat at the top try to create a horizontal reference point. These measurements are critical to mounting your wheels vertically

C-TUG DINGHY WHEELS

INSTALLATION INSTRUCTIONS

Part Two: Mounting the Brackets

YOU WILL NEED:

- 10mm Spanner/Wrench
- 10mm Socket
- Silicone Marine Sealant
- Lubricant

1 Remove fork and wheel from bracket for better access to screw holes

2 Make sure Bracket is ready to be mounted with lock/unlock symbols facing center line of boat this ensures best access to operate locking shaft

3 Apply Marine Sealant to all 4 holes

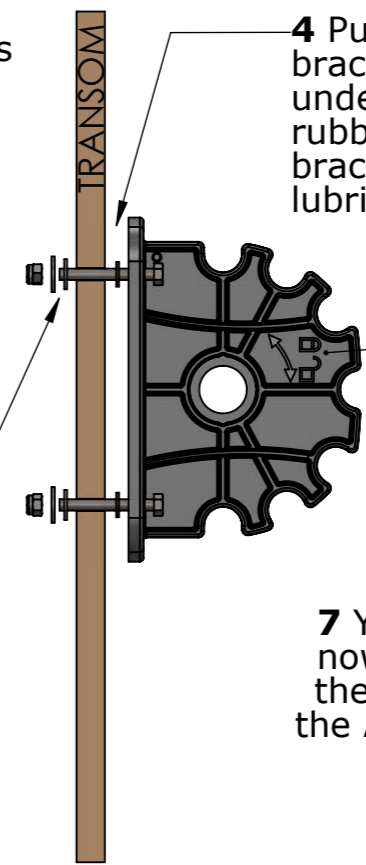
4 Put each screw through bracket with penny washer under bolt head securing with rubber washers between bracket and transom lubricating thread is advised

5 Add plastic washers against inside of transom followed by stainless washer and nyloc nut

Lock/Unlock Symbols

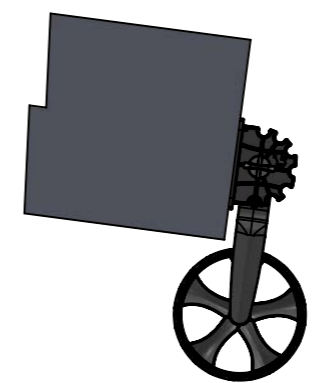
6 Tighten screws with 10mm socket - securing nut with 10mm Wrench /Spanner

7 Your Brackets should now be ready to attach the Fork and Wheel per the Assembly instructions

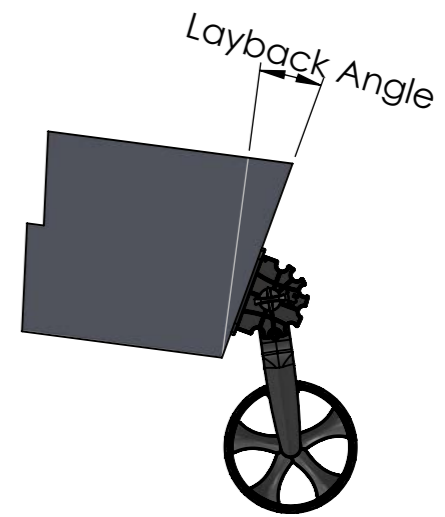


OPERATING POSITION

When towing your vessel the wheel assemblies are strongest with the fork arm close to vertical



For a right-angle transom the lowest notch will be the best option



If your transom has a substantial layback angle (10 degrees or more) the second notch can be used to account for this

For an in depth demonstration of Installation, Operation and Assembly of the wheels, check out our website: